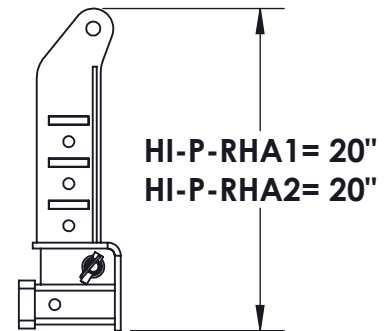
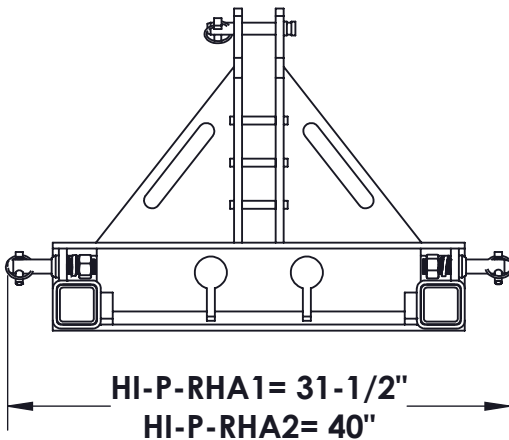


Homestead Implements Pinnacle Series Adjustable Receiver Hitch

Technical Specification

Model Numbers	HI-P-RHA1	HI-P-RHA2
Total Weight	81 lbs. (36.74 kg)	96 lbs. (43.51 kg)
Category	Category-1	Category-2
Adjustable Receiver Size	2"	
Adjustable Receiver Location	3 Adjustable Positions	3 Adjustable Positions
Width	31 1/2"	40"
Height	20"	
3-Point Hitch Type	Category-1 , Fits Quick-Hitch & iMatch	Category-1 , Fits Quick-Hitch & iMatch
Lower Receiver Hitch	2" Receiver	



CUSTOMER APPROVAL :

DATE :



THIS DRAWING, WHICH CONTAINS PROPRIETARY INFORMATION, IS THE PROPERTY OF JAMESTOWN ADVANCED PRODUCTS CORPORATION. IT SHALL NOT BE REPRODUCED IN ANY MANNER NOR DISCLOSED TO THIRD PARTIES WITHOUT WRITTEN PERMISSION OF JAMESTOWN ADVANCED PRODUCTS CORPORATION.

DATE : **04/20/2022**

PRODUCT PART NUMBER : HI-P-RHA1 & HI-P-RHA2

REV. NO.

PRODUCT DESCRIPTION :

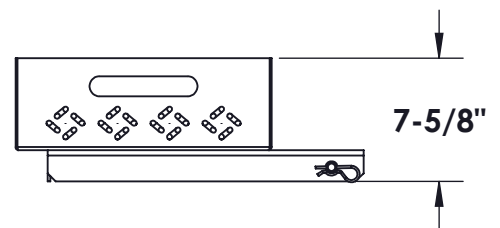
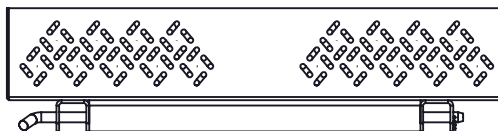
RECEIVER HITCH ADJUSTABLE CAT 1 AND CAT 2

2855 GIRTS ROAD
JAMESTOWN, NY 14701

Homestead Implements Pinnacle Series Adjustable Receiver Hitch Basket

Technical Specification

Model Numbers	HI-P-BSK1-31	HI-P-BSK1-43	HI-P-BSK2-31	HI-P-BSK2-43
Total Weight	43 lbs. (19.50 kg)	50 lbs. (22.67 kg)	44 lbs. (19.95 kg)	52 lbs. (23.58 kg)
Category	Category-1		Category-2	
Hitch Size	2" Receiver			
Dimensions (L X W X H)	16" X 31" X 5 1/2"	16" X 43" X 5 1/2"	16" X 31" X 5 1/2"	16" X 43" X 5 1/2"
Capacity (cu. ft.)	1.58 ft ³	2.20 ft ³	1.58 ft ³	2.20 ft ³
Weight Capacity	800 lbs. (362.87 kg)			



HI-P-BSK1= 20-5/8"
 HI-P-BSK2= 27-1/2"

CUSTOMER APPROVAL :

DATE :



THIS DRAWING, WHICH CONTAINS PROPRIETARY INFORMATION, IS THE PROPERTY OF JAMESTOWN ADVANCED PRODUCTS CORPORATION. IT SHALL NOT BE REPRODUCED IN ANY MANNER NOR DISCLOSED TO THIRD PARTIES WITHOUT WRITTEN PERMISSION OF JAMESTOWN ADVANCED PRODUCTS CORPORATION.

DATE : **04/20/2024**

PRODUCT PART NUMBER : **HI-P-BSK1 & HI-P-BSK2**

REV. NO.

PRODUCT DESCRIPTION :

BASKET CAT 1 AND CAT 2

2855 GIRTS ROAD
 JAMESTOWN, NY 14701